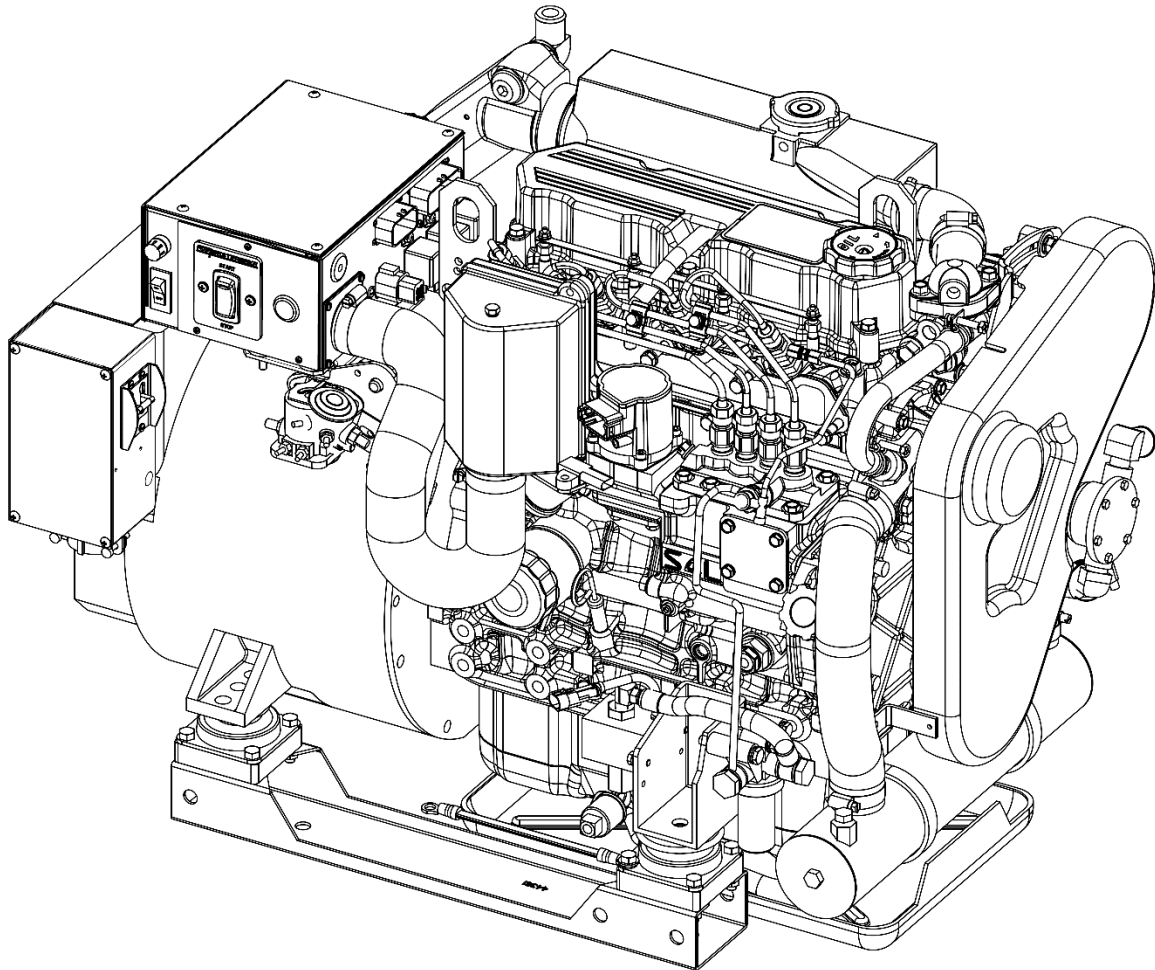


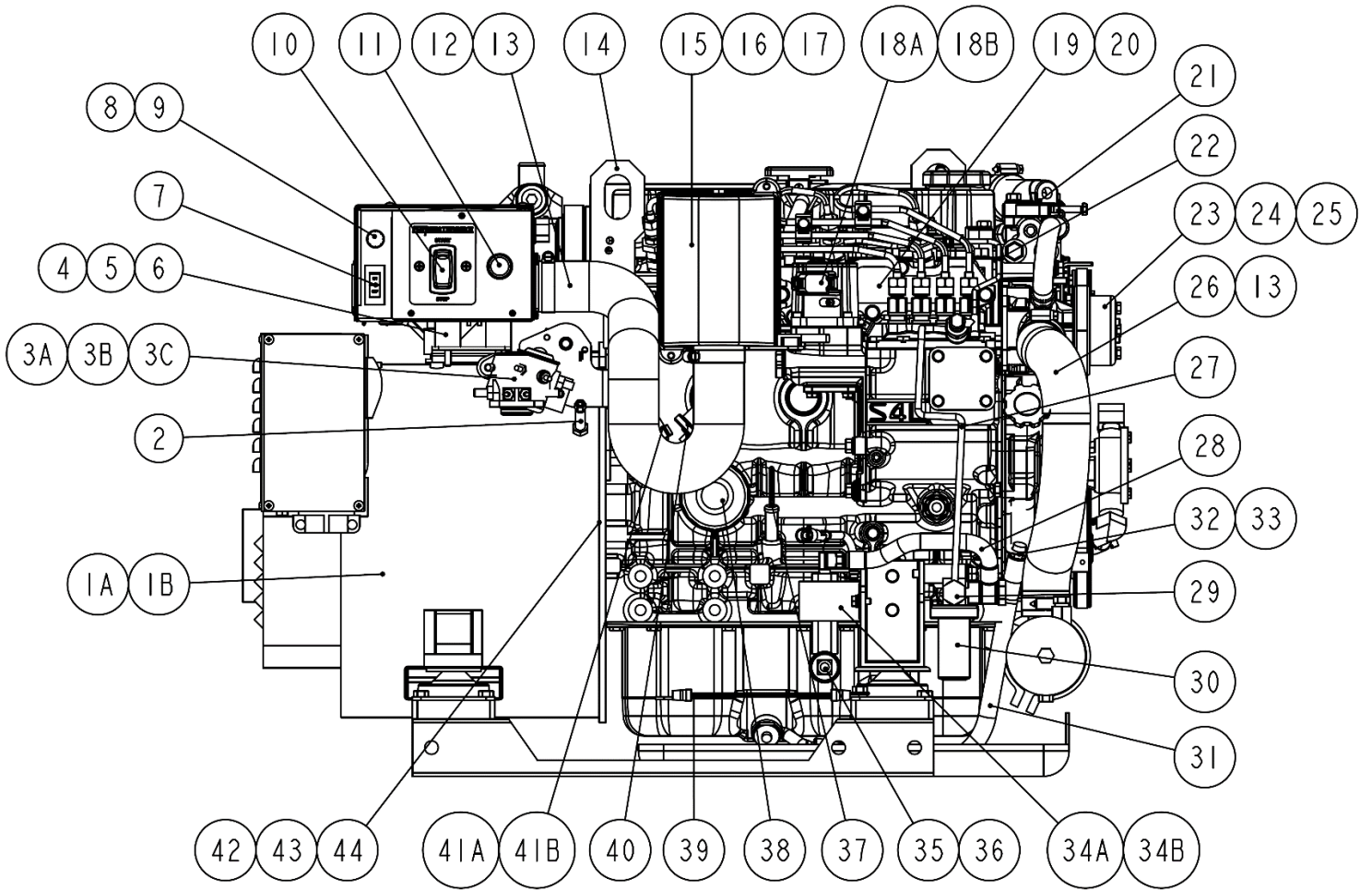
ILLUSTRATED PARTS LIST

FOR MODELS

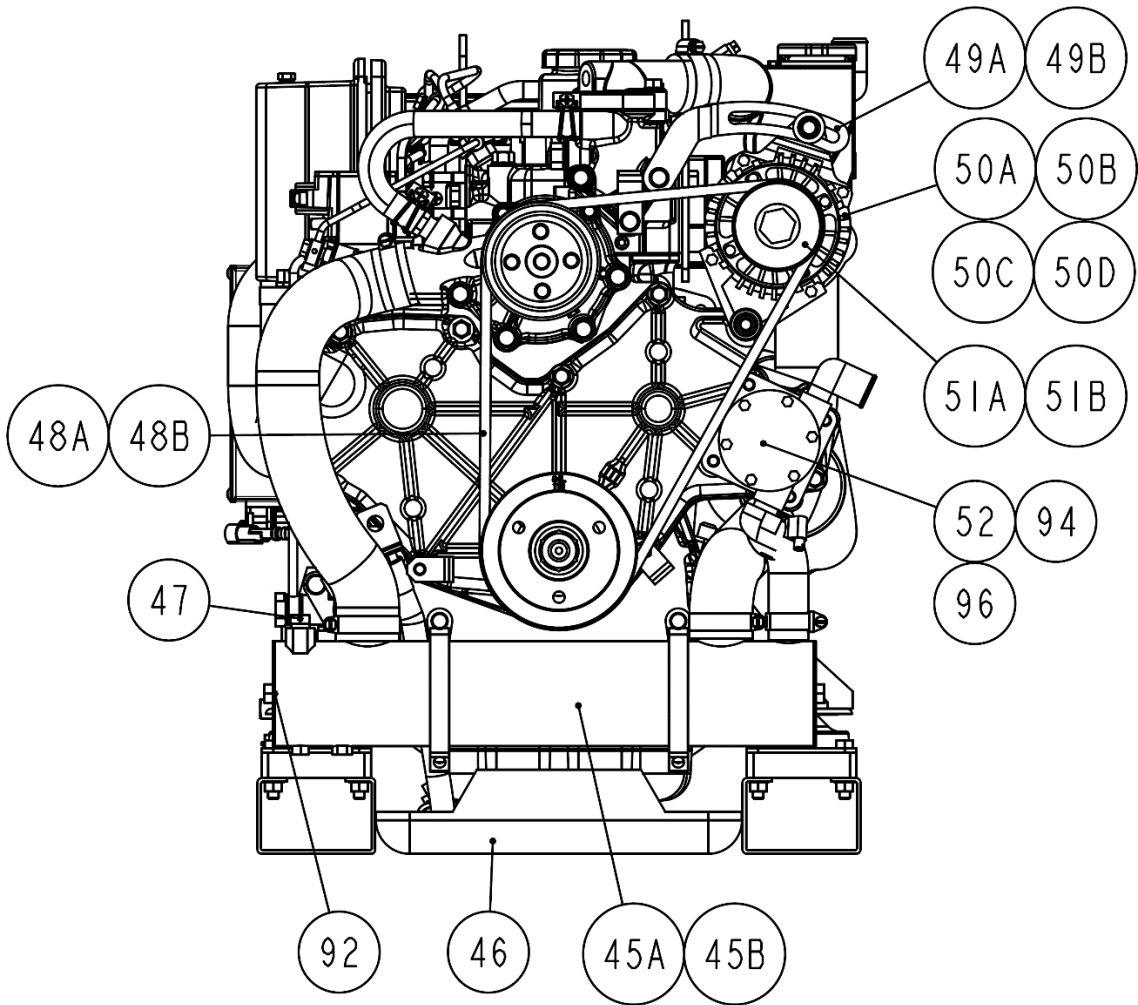
15.0 EDTA (60HZ) AND 12.0 EDTA (50HZ)

12.5 EDTA (60HZ) AND 10.3 EDTA (50HZ)

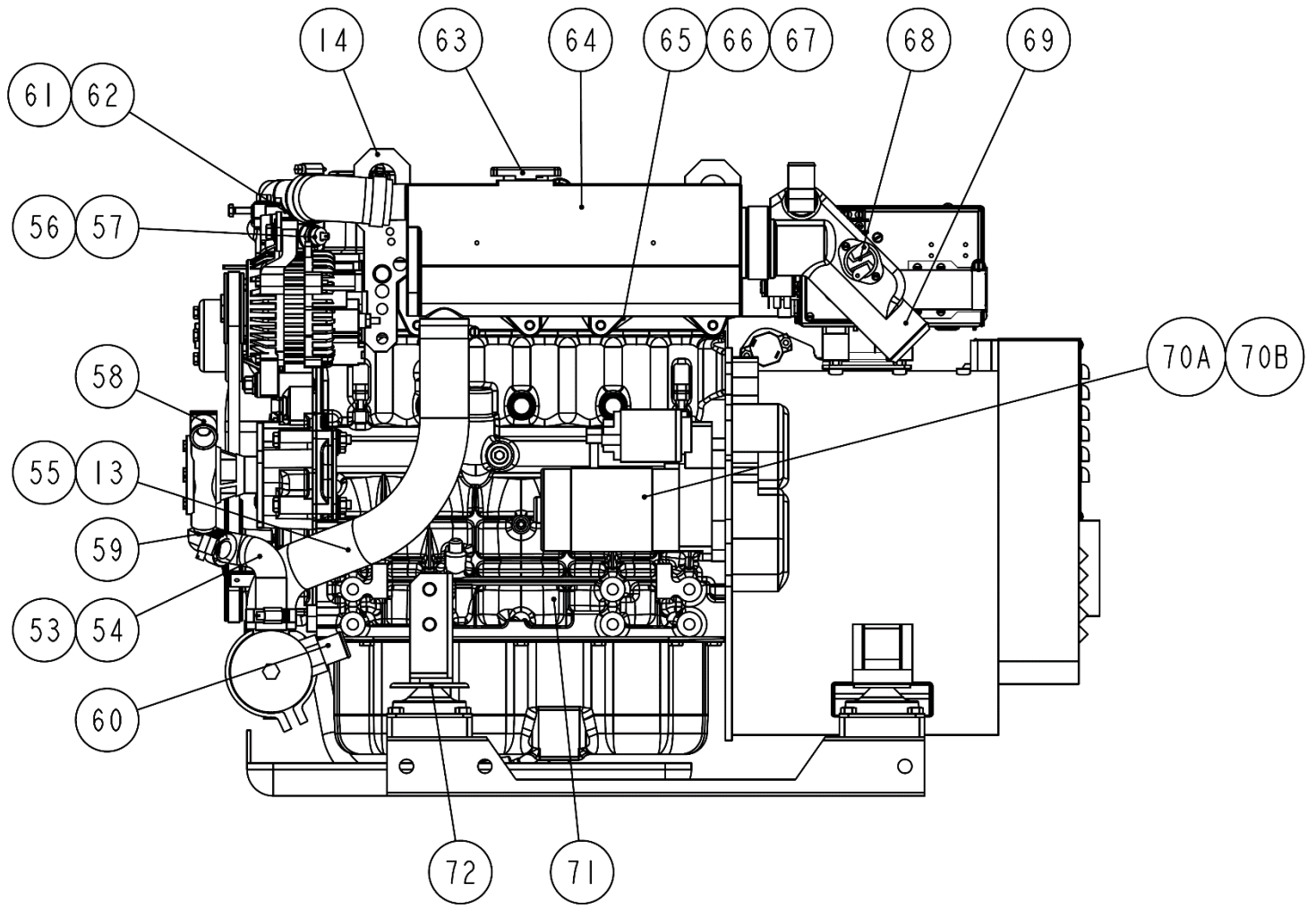




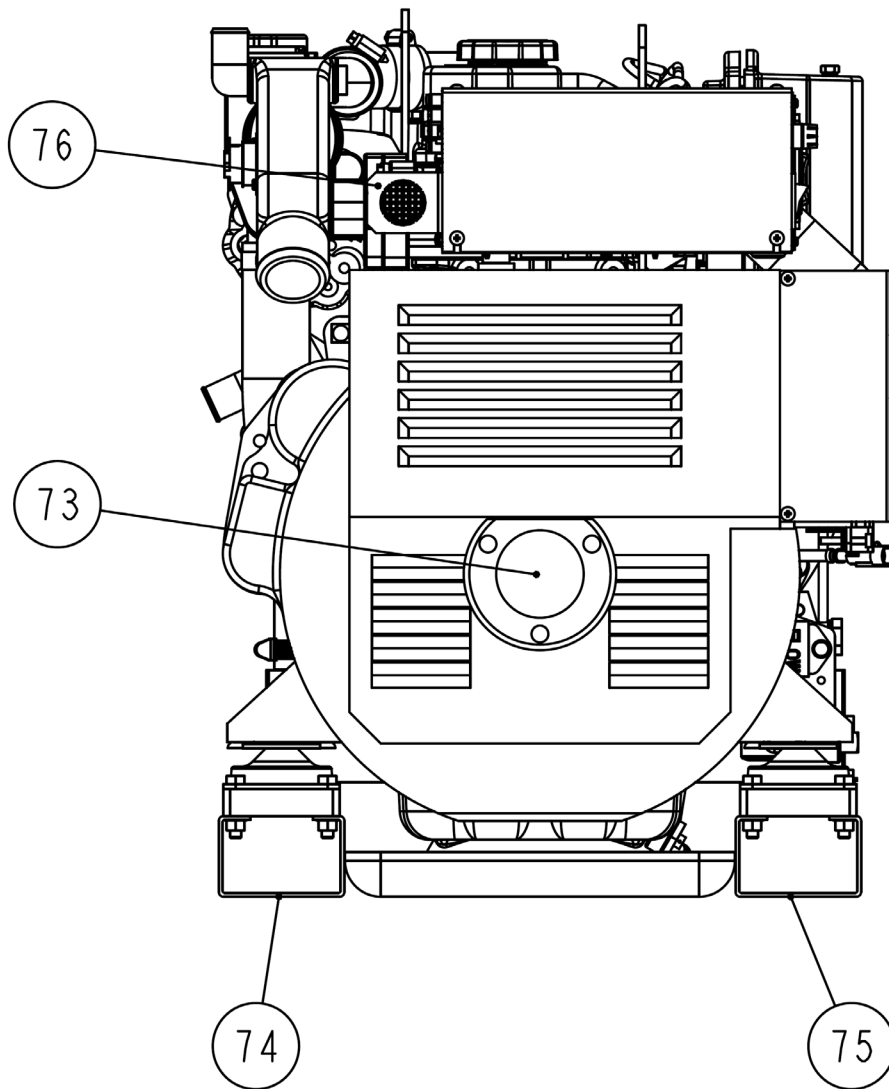
SERVICE SIDE VIEW (LEFT)



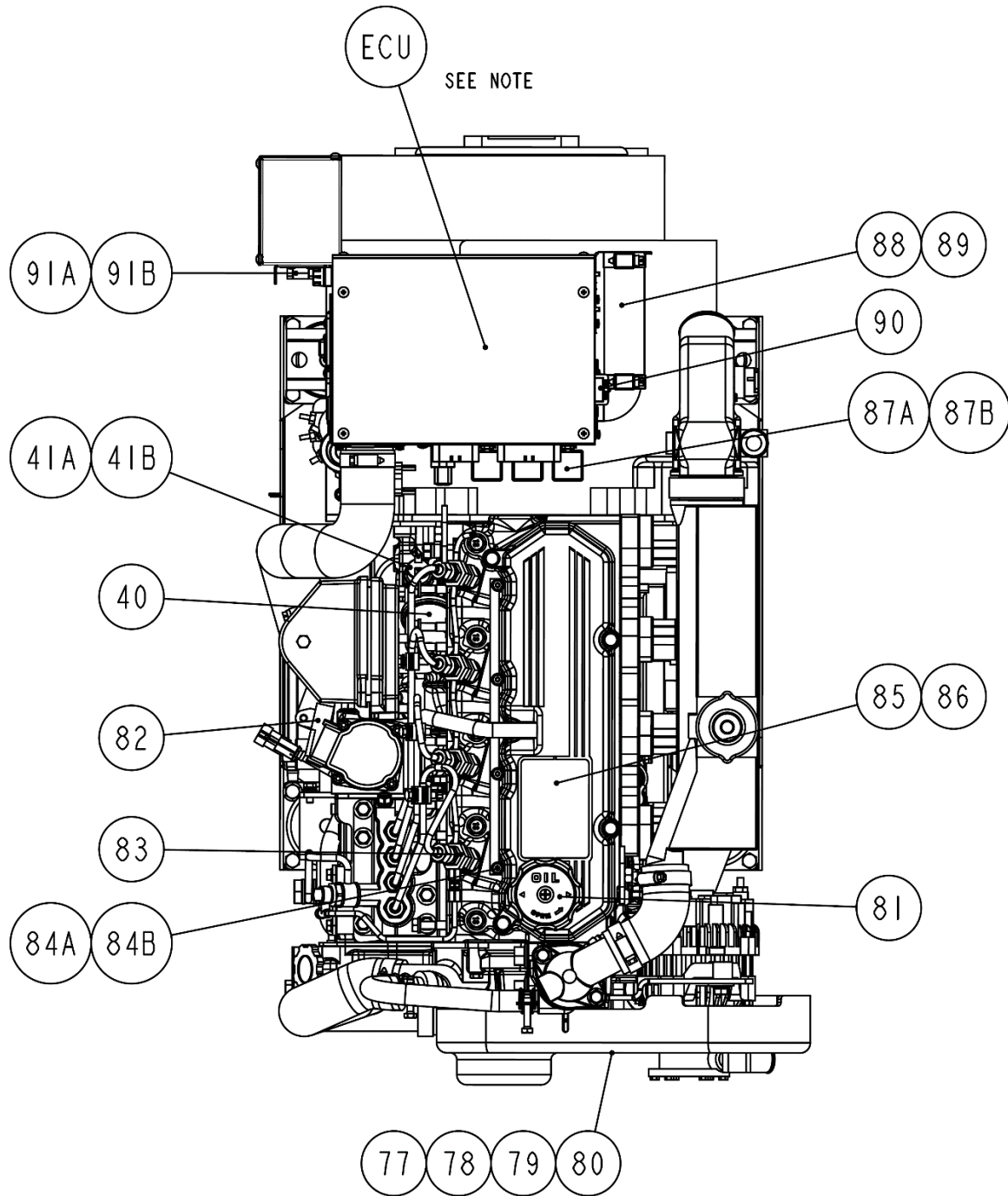
BELT END VIEW (FRONT)



NON-SERVICE SIDE VIEW (LEFT)



GENSET END VIEW (REAR)



- 93 HARDWARE KIT (NOT SHOWN)
- 95 GASKET SET, COMPLETE (NOT SHOWN)

TOP VIEW

CONTACT SERVICE OR SPARE PARTS REPRESENTATIVE
FOR ECU REPLACEMENT, GENSET SERIAL NUMBER IS REQUIRED

PARTS LIST

REF	PART #	PART NAME	NOTES
1A	37430	GENERATOR	SINGLE PHASE
1B	54489	GENERATOR	3 - PHASE
2	48807	SPEED SENSOR	
3A	22249	SOLENOID, 24V	24VDC - UNGROUNDED
3B	11489	SOLENOID, 12V UNGND	12VDC - UNGROUNDED
3C	24639	SOLENOID, 12V GND	12VDC - GROUNDED
4	36652	ISOLATOR STUD SM	
5	34371	ISOLATOR STUD LG	
6	24836	SPACER	
7	52732	CIRCUIT BREAKER 20A	
8	33769	FUSE, 8A 250V	
9	43747	FUSE HOLDER	
10	53502	ROCKER SWITCH	12-24VDC
11	52467	PLUG	
12	57151	HOSE, AIR INTAKE	
13	38193	HOSE CLAMP	
14	30131	EYE, LIFTING	
15	53385	COVER, AIR FILTER	
16	39705	FILTER, AIR	
17	53384	BASE, AIR FILTER	
18	--	ACTUATOR	CALL FACTORY FOR INFO
19	45221	MANIFOLD, INTAKE	
20	45220	GASKET, INTAKE MANIFOLD	
21	43434	HOUSING, THERMOSTAT	
22	56296	LINE, FUEL INJ-RET	
23	45231	PUMP, FRESH WATER	
24	44082	GASKET, FW PUMP	
25	47134	PULLEY, FW PUMP	
26	34228	HOSE, PUMP TO EXCHANGER	
27	56294	LINE, FUEL FILTER-INJ	
28	38606	HOSE, LIFT PUMP-FILTER	
29	24984	BANJO BOLT	
30	30210	FILTER, FUEL	
31	43904	HOSE, SUMP DRAIN	
32	24922	BRACKET, SUMP HOSE	
33	24905	CAP, SUMP HOSE	
34A	52853	PUMP, LIFT 12V	
34B	53474	PUMP, LIFT 24V	
35	11984	ELBOW	
36	54893	FILTER, FUEL INLET	12PK
37	45320	DIPSTICK	
38	36918	FILTER, OIL	
39	34593	STRAP, GROUND	FOR GROUNDED MODELS ONLY

(CONTINUED NEXT PAGE)

(PARTS LIST CONTINUED)

REF	PART #	PART NAME	NOTES
40	43902	SWITCH, OIL PRESSURE	
41	56181	SENDER, OIL PRESSURE	
42	43409	PLATE, BACK	
43	43842	FLYWHEEL	
44	33279	BOLT, BACK PLATE	
45A	45528	EXCHANGER, HEAT	
45B	45374	EXCHANGER, HEAT CU-NI	
46	37378	DRIPTRAY	
47	11885	ZINC	
48A	45232	BELT 12V	
48B	30475	BELT 24V	
49A	43824	BRACKET, ALTERNATOR 72A 12V	
49B	49780	BRACKET, ALTERNATOR 24V	
50A	55417	ALTERNATOR, 12V 50A UNG	UNGROUND
50B	43953	ALTERNATOR, 12V 50A GND	GROUND
50C	58362	ALTERNATOR, 24V 35A UNG	UNGROUND
50D	58363	ALTERNATOR, 24V 35A GND	GROUND
51A	58464	PULLEY, ALTERNATOR 24V	
51B	48021	PULLEY, ALTERNATOR 12V	
52	37431	PUMP, SEA WATER	
53	43940	HOSE, SW PUMP-EXCHANGER	
54	11386	CLAMP, HOSE	
55	43679	HOSE, MANIFOLD-EXCHANGER	
56	42198	SENSOR, TEMPERATURE	
57	24602	BUSHING	
58	36612	ELBOW, OUTLET	
59	34710	ELBOW, INLET	
60	36622	NIPPLE	
61	24688	THERMOSTAT	
62	34196	THERMOSTAT GASKET	
63	24306	CAP, COOLANT	
64	48025	MANIFOLD, EXHAUST	
65	43816	GASKET, EXHAUST MANIFOLD	
66	43626	ADAPTER, EXHAUST	
67	43955	GASKET, EXHAUST ADAPTER	
68	32923	SWITCH, EXH TEMP	
69	34486	ELBOW, EXHAUST	
70A	30593	STARTER, 12V	
70B	42111	STARTER, 24V	
71	54201	ENGINE BLOCK	

(CONTINUED NEXT PAGE)

(PARTS LIST CONTINUED)

REF	PART #	PART NAME	NOTES
72	33530	SHIELD	
73	36701	COVER	
74	44362	RAIL ASSEMBLY LEFT	
75	44361	RAIL ASSEMBLY RIGHT	
76	52971	SCREEN, AIR INLET	
77	44365	GUARD	
78	44168	BRACKET, GUARD UPPER	
79	37828	BRACKET, GUARD LOWER	
80	42225	SPACER	
81	30237	CAP, OIL	
82	56217	SENSOR, MAP	
83	37091	INJECTOR, FUEL	
84A	24353	GLOWPLUG, 12V	
84B	34467	GLOWPLUG, 24V	
85	45184	COVER	
86	45187	GASKET, COVER	
87A	41150	RELAY, 12V 30A	W/ DIODE
87B	53595	RELAY, 24V 20A	W/ DIODE
88	52972	HOSE, AIR INTAKE	
89	21878	CLAMP, HOSE	
90	47213	TERMINAL BLOCK	
91A	42717	BREAKER, 60A 2P	13.5, 15KW 60HZ
91B	42718	BREAKER, 70A 2P	12kW 50HZ
92	22851	GASKET, EXCHANGER	
93	46419	HARDWARE KIT	
94	48500	IMPELLER KIT	
95	46903	GASKET SET, COMPLETE	
96	49000	WATER PUMP KIT	

(CONTINUED NEXT PAGE)

OPTIONAL PARTS LIST (NOT SHOWN IN ILLUSTRATIONS)

REF	PART #	PART NAME	NOTES
OP1	58380	SPARE PARTS KIT A 12V	CONTAINS ITEMS: 47,48A,16,30,36,47,92,93,94
OP2	58381	SPARE PARTS KIT B 12V	CONTAINS ITEMS: 47,84A,61,16,30,83,38,48A,36,92,93,94,95,96
OP3	58382	SPARE PARTS KIT A 24V	CONTAINS ITEMS: 47,48B,16,30,36,47,92,93,94
OP4	58383	SPARE PARTS KIT B 24V	CONTAINS ITEMS: 47,84B,61,16,30,83,38,48B,36,92,93,94,95,96
OP5	46903	GASKET SET, COMPLETE	
OP6	52560	START/STOP, REMOTE W/ LIGHT	12V
OP7	53503	START/STOP, REMOTE W/ LIGHT	24V
OP8	53883	EXT. HARNESS REM START/STOP 3.1M	
OP9	52959	EXT. HARNESS REM START/STOP 4.6M	
OP10	52789	EXT. HARNESS REM START/STOP 9.1M	
OP11	52960	EXT. HARNESS REM START/STOP 19.8M	
OP12	53340	"Y" ADAPTER REM. START/STOP	
OP13	53341	COVER PLATE PANEL BOX	BLACK
OP14	53342	COVER PLATE PNL REM START/STOP	12V
OP15	54535	COVER PLATE PNL REM START/STOP	24V
OP16	53009	"T" ADAPTER	
OP17	52738	"4-WAY" ADAPTER	
OP18	52711	TERMINATING RESISTOR	
OP19	53025	EXTENTION CABLE .5M	
OP20	53026	EXTENTION CABLE 1M	
OP21	53027	EXTENTION CABLE 2M	
OP22	53029	EXTENTION CABLE 4M	
OP23	53030	EXTENTION CABLE 5M	
OP24	53031	EXTENTION CABLE 6M	
OP25	53032	EXTENTION CABLE 7M	
OP26	53033	EXTENTION CABLE 8M	
OP27	53034	EXTENTION CABLE 9M	
OP28	53035	EXTENTION CABLE 10M	
OP29	53061	EXTENTION CABLE 12.2M	
OP30	46264	EXHAUST/WATER SEPARATOR 2"	
OP31	44010	ANTI-SIPHON VALVE W/ 1" SS LOOP	
OP32	33327	ANTI-SIPHON VALVE	
OP33	57199	REMOTE LUBE OIL FILTER KIT	
OP34	44068	DIPSTICK EXTENSION KIT	
OP35	37134	PTO ADAPER KIT	
OP36	35196	SHIP/SHORE SWITCH 4POLE	
OP37	32133	SHIP/SHORE SWITCH 2 WIRE	
OP38	20654	SPLITTER, ALTERNATOR OUTPUT	